

## S-7801 and S-7802



K.C.S. **S-7801** and **S-7802** three-way speaker systems are designed for the screen channel in large cinema theatres; their 47 cm depth makes them especially suitable where there is a space limitation behind the projection screen.

S-7801 (bi-amplified) speaker system has a passive crossover to cut frequencies between mid and high frequencies. Between mid and low frequencies, this system is designed to operate with an external active crossover with cut frequency at 400 Hz.

S-7802 (tri-amplified) system is designed to operate with an external active crossover to cut frequencies both between the low and mid ranges (400 Hz) and between the mid and high ranges (1.7 kHz).

The high dynamics demanded to screen channel speaker systems by current soundtracks requires the use of three-way systems in order to ensure high SPL levels in the auditorium while keeping distortion at inaudible levels.

Each of the three ways is controlled by transducers which are specifically designed to operate in the required frequency range and ensure a precise and distortion-free reproduction.

This system features a bass cabinet with direct radiation technology fitted with two 15" Ø speakers.

Voice spectrum in this three-way design is reproduced by two 6.5" cone speakers and 90° x 30° constant dispersion horns, improving intelligibility of dialogues as compared to conventional two-way speaker systems. Its high-frequency section consists of a compression driver with titanium membrane and a constant directivity horn.

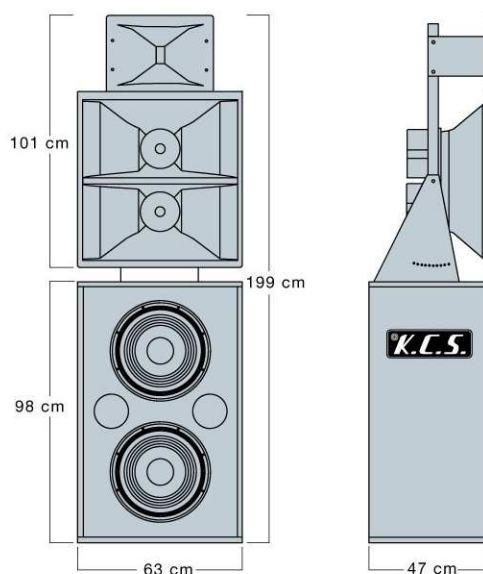
## TECHNICAL DATA

	S-7801	S-7802
Frequency range (-10 dB)	30 Hz - 20 kHz	
Nominal Impedance	LF 4 Ω MF/HF 4 Ω	LF 4 Ω MF 4 Ω HF 8 Ω
<b>POWER CAPACITY</b>		
Input Power Rating(1)	LF 800 W MF/HF 240 W	LF 800 W MF 180 W HF 50 W
Sensitivity 1W/1m	LF 101 dB S.P.L. MF/HF 110 dB S.P.L.	LF 101 dB S.P.L. MF 110 dB S.P.L. HF 112 dB S.P.L.
Crossover Frequency	LF/MF 400 Hz (active not included) MF/HF 1.7 kHz (passive included)	LF/MF 400 Hz (active not included) MF/HF 1.7 kHz (active not included)
Horizontal Beamwidth	90°	
Vertical Beamwidth	30°	
Dimensions (H x W x D)	199 x 63 x 47 cm	
Net Weight	73,8 kg	72,8 kg

## COMPONENTS

	S-7801	S-7802
Cabinet	C-215 P	C-215 P
Low Frequency Driver	2 x S-15 P	2 x S-15 P
Passive Network	F-7801 included	-
Mid Frequency Driver	2 x S-6	2 x S-6
Mid Frequency Horn	BM-942 B	BM-942 B
High Frequency Driver	S-701	S-701
High Frequency Horn	BC-94	BC-94
Adjustable Mount	SP-7800	SP-7800

1) Rating based on test signal of filtered random noise conforming to the International standard IEC 268-1 (pink noise with 12 dB per octave roll-off below 40 Hz and above 5000 Hz with a peak-to-average ratio of 6 dB).



Approved by THX for **THX** system